

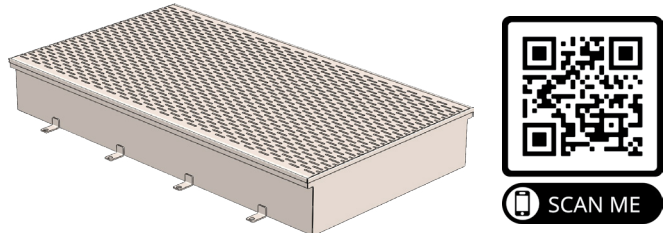
Location: _____

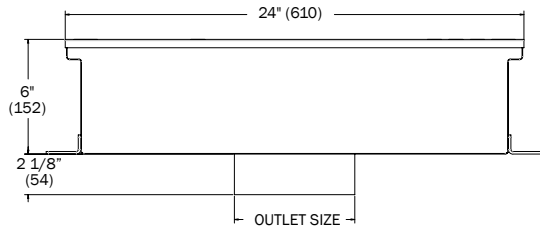


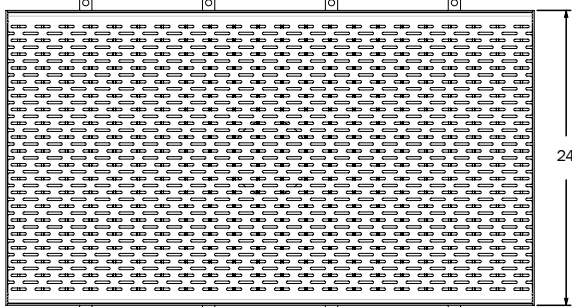
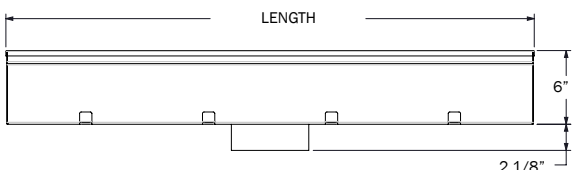
P6140

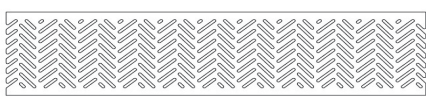
**24" Wide, 22" Internal Width,
Stainless Steel Trench Drain**

Specification: MIFAB® Series P6140 Trench Drain, 24" wide, 22" internal width, 16 gauge fabricated Type 304 stainless steel channels with anchor tabs and Load Class "A" stainless steel, fabricated slotted grates per DIN EN 1433 and 2,500 lbs. per ASME A112.6.3 with bead blasted finish. Channels and grates available to any length required. Center outlets are standard in 6" no hub outlet connections and fabricated as part of the trench drain.

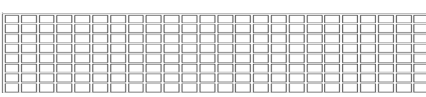




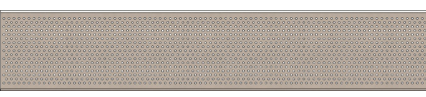





-AS - Angle Slot grate



-FG - Fiberglass grate



-FP - Fabricated perforated grate

MODEL NUMBER	DESCRIPTION	GRATE FREE AREA (Sq. In.)	WEIGHT Lbs.
P6140	24" wide, 16 gauge Type 304 S.S., trench drain with Load Class A fabricated stainless steel slotted grate.	195	15, per foot
P6140	24" wide, 16 gauge Type 304 S.S., trench drain with Load Class A fabricated stainless steel slotted grate.	195	17, per foot

SUFFIX	OPTIONAL VARIATIONS
-6	Vandal proof grates (center lockdown)
-20	Bottom outlet strainer (P6130-ST)
-29	Type 316 Stainless Steel
-45	45 Degree fabricated body
-90	90 Degree fabricated body
-CF	Cross fabricated body
-EC	Closed end cap
-EO	End outlet
-FL	Anchor (waterproofing) flange
-FLC	Membrane clamp (includes anchor flange)
-TEE	Tee fabricated body

SUFFIX	OPTIONAL GRATES
-AS	Reinforced, Type 304 Stainless Steel angle slotted grate, Load Class A
-FG	Fiberglass grate, Load Class A
-FP	Reinforced, Type 304 Stainless Steel perforated grate, Load Class A

NOTE: Other widths are available. Contact MIFAB® for details

ANSI A112.21.1M Light Duty Load Rated - up to 2,000 Lbs.

Note: The neoprene gasket used to connect long runs of trench drain channels is not recommended for use with caustic or harsh chemicals. In these cases, it is recommended that the trench drain channels be welded together on site.

CALIFORNIA PROPOSITION 65 WARNING. This product contains chemicals known to the State of California to cause cancer and birth defects or other reproductive harm.

Job Name: _____	Page No: _____
Section No: _____	Contractor: _____
Schedule No: _____	Purchase Order No: _____

MIFAB® reserves the right to make changes in material and design without formal notice or obligation.

USA: 1-800-465-2736 www.mifab.com CAN: 1-800-387-3880